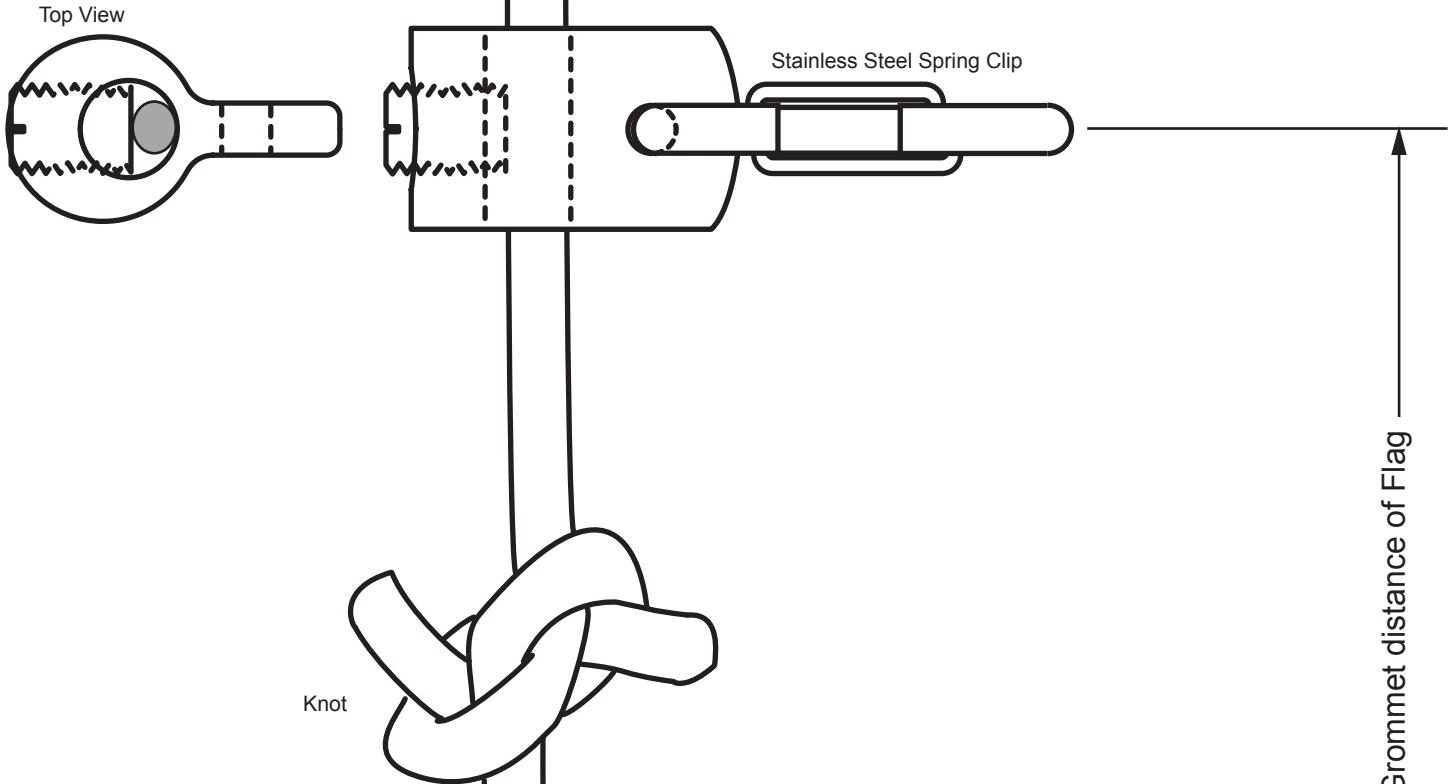
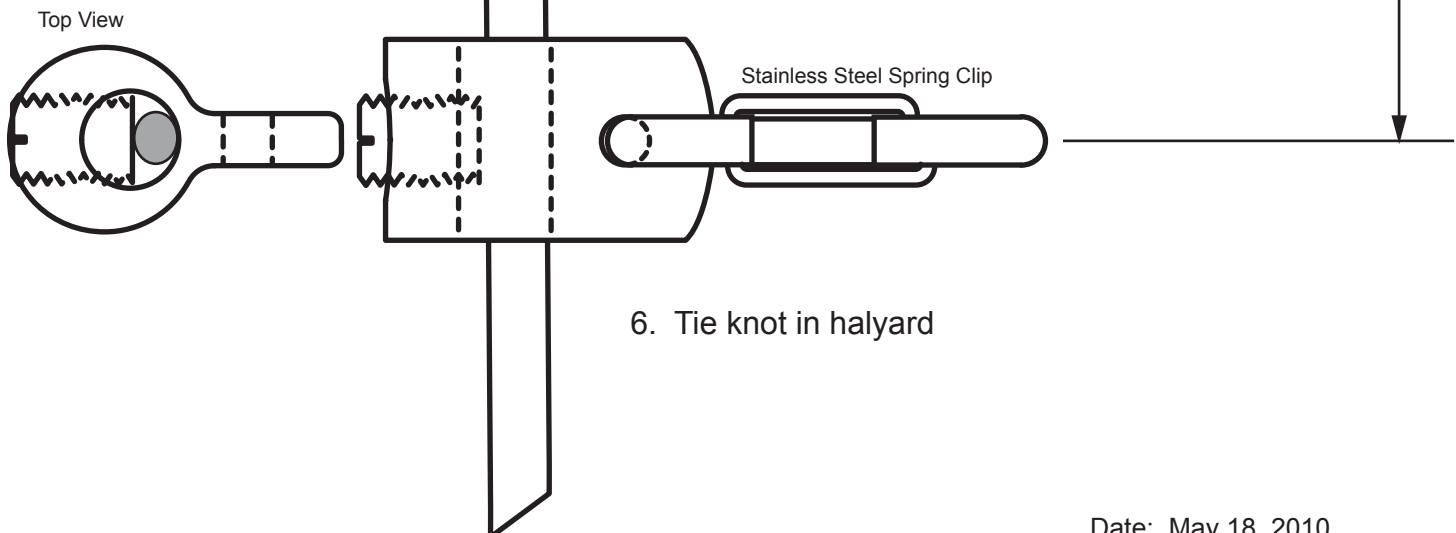


## ZipKlip Assembly Instructions

1. Insert halyard end thru ZipKlip
2. Tighten screw against halyard



3. Insert second halyard thru second ZipKlip
4. Adjust for distance between flag grommet
5. Tighten screw against halyard



6. Tie knot in halyard